

Security device Safety valve

Design

This valve is available in DN 38 and 50 and with an L configuration.

It is composed of three main parts:

- a 316L stainless steel L body which can be fitted with a pressure gauge as an option. It is available with a butt weld end or SMS, DIN or clamp fitting,
- a 316L stainless steel plug with (FKM) fluorated elastomer seal (EPDM optional),
- an adjustable device with a variety of springs to cover a calibration range of 0 to 13 bar.

The adjustment device consists of a removable stainless steel handle mounted on top of the valve. It can be replaced by a cover to protect the pre-adjusted setting (lead seal possible).

The valve is disassembled by an SMS nut which allows the calibration device to be separated from the body.



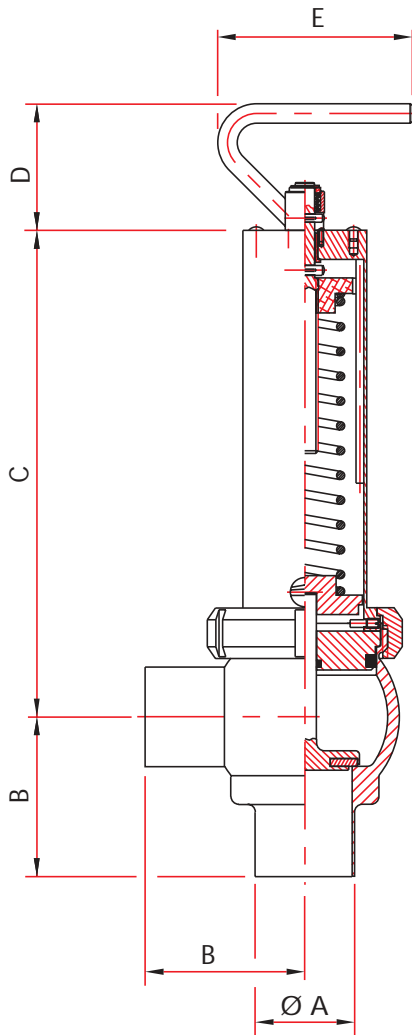
Working conditions

FOR ALL DIAMETERS OF SAFETY VALVE	
Maximum temperature: +120 °C	Minimum temperature: 0 °C

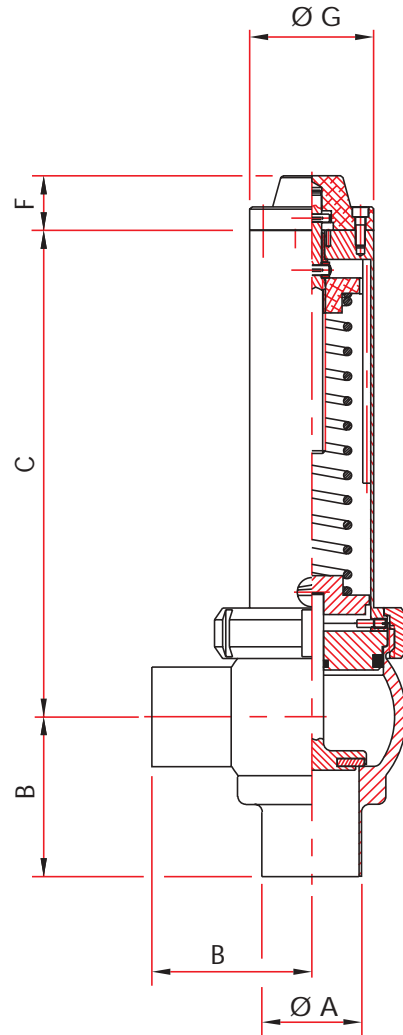
Security device Safety valve

Dimensions

Valve with adjustable handle



Calibrated valve



DN	Ø A	B	C	D	E	F	Ø G	Weight in kg
SMS								
38	38,1 x 1,65	70	180	65	100	28	53	2,7
51	50,8 x 1,65	82	250	65	100	28	63,5	3,9