

# Security device

## Non return valve

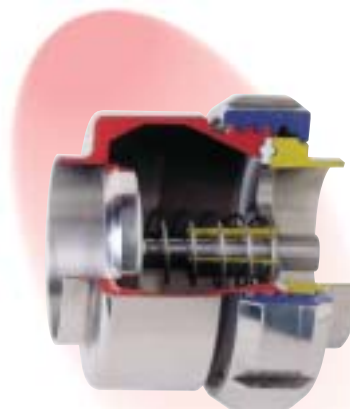
### Design

The DEFINOX non-return valve is made of 316L stainless steel with a surface finish of  $Ra = 0.8 \mu m$ . To disassemble, a fitting is required upstream.

This valve uses a guided plug with spring return. It is designed to recover full bore and thereby guarantee that the pressure drop is kept to a minimum in the direction of flow. It can easily be removed thanks to an SMS nut which assembles the two main parts: the body and the plug guide. A seal is provided between these two parts. The plug has a (FKM) fluorinated elastomer seal which held in its seat by a stainless steel return

spring. It is available with a butt weld end or standard connections (SMS, DIN, clamp). It is advisable to mount the non return valve vertically in order to avoid fluid retention and improve tightness. On request, this device can be fitted with an EPDM or PFA seal.

A variant with a metal-on-metal seal is also available; this arrangement requiring component pairing (plug bedding on seat).

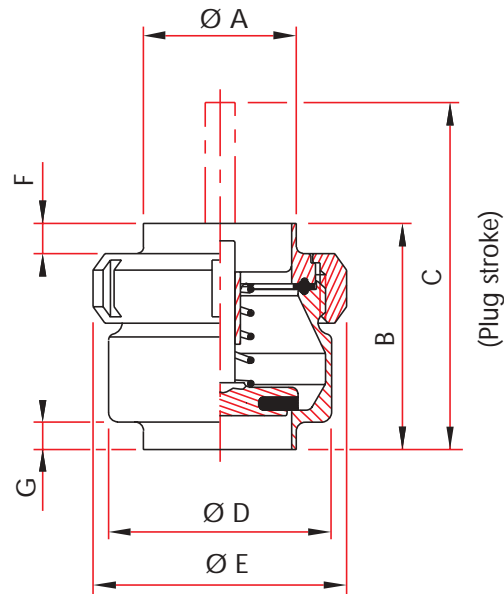


### Working conditions

FOR ALL DIAMETERS OF NON RETURN VALVE		
Maximum temperature: +120 °C	Minimum temperature: 0 °C	Maximum working pressure: 10 Bar

# Security device Non return valve

## Dimensions



DN			$\varnothing A$	B	C	$\varnothing D$	$\varnothing E$	F	G	Weight in kg
SMS	DIN	US								
		1/2"	12,7	48,5	71	40	49,5	6	5	0,28
		3/4"	19,05	48,5	71	40	49,5	6	5	0,27
25		1"	25,4	74,5	107	59,5	70	13	9	0,65
	25		29	74,5	107	59,5	70	13	9	0,60
32			32	70,5	107	59,5	70	9	9	0,55
38		1"1/2	38,1	70,5	107	59,5	70	9	9	0,82
	40		40	65,5	102	59,5	70	9	9	1
51		2"	50,8	74,5	115	74	84	10	9	1,09
	50		53	74,5	115	74	84	10	9	1,05
63		2"1/2	63,5	108,5	158	110	114	14	10	2,66
	65		70	104,5	158	110	114	10	10	2,63
76		3"	76,2	104,5	158	110	114	10	10	2,31
	80		85,5	127,5	201	148	148	15	11	3,82
		4"	101,6	123,5	201	148	148	11	11	4,43
104	100		104	123,5	201	148	148	11	11	4,40
	125		130	141,5	229	178	178	9	11	5,60